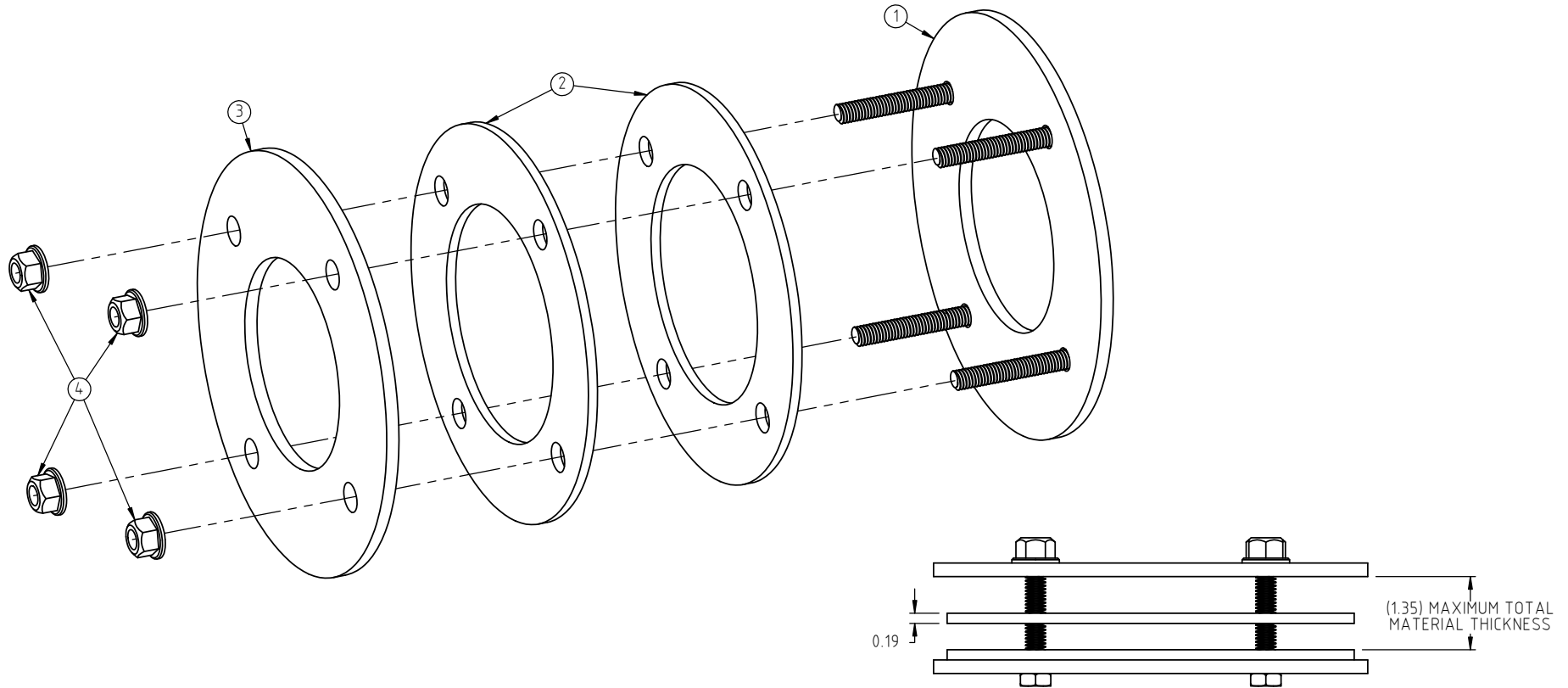


© DEN HARTOG INDUSTRIES, INC.


Copyright. All information furnished within this document, electronic file or design correspondence is the property of Den Hartog Industries, Inc. and shall not be used, disclosed to others or copied without the expressed written consent of Den Hartog Industries, Inc.

KEY	PART NUMBER	DESCRIPTION	QTY
1	19558	1" FITTING RING WELDMENT	1
2	19556	1" FITTING GASKET	2
3	19560	1.50" FITTING RING	1
4	19562	NUT, 0.38" SS	4

19557



				DRAWN / DATE ADH 9/26/14	MATERIAL SEE COMPONENTS
				APPROD. / DATE REH 8/4/15	
REV	DESCRIPTION	BY / DATE	CCN	SHOT WEIGHT:	NOTES:
				SHIPPING WEIGHT:	1.) PATENT PENDING
				FINISH: NONE	



# Den Hartog

INDUSTRIES, INC.

Ace Roto-Mold Injection Molding Blow Molding Sowjoy

4010 HOSPERS DRIVE S. BOX 425, HOSPERS, IOWA 51238-0425

DESCRIPTION <b>1" DUAL LINE™ TANK FITTING RING ASSEMBLY</b>	
SCALE N.S.	PART NO. 19557

ALL DIMENSIONS ARE IN DECIMAL INCHES  
TOLERANCES UNLESS OTHERWISE SPECIFIED  
POLYETHYLENE METAL  
DECIMAL ± .125"  
FRACTION ± 1/4"  
ANGLE ± 1°  
±1% @ 68°F

THIRD ANGLE PROJECTION  
ANSI 14.5M

